



SEMİTÜRK



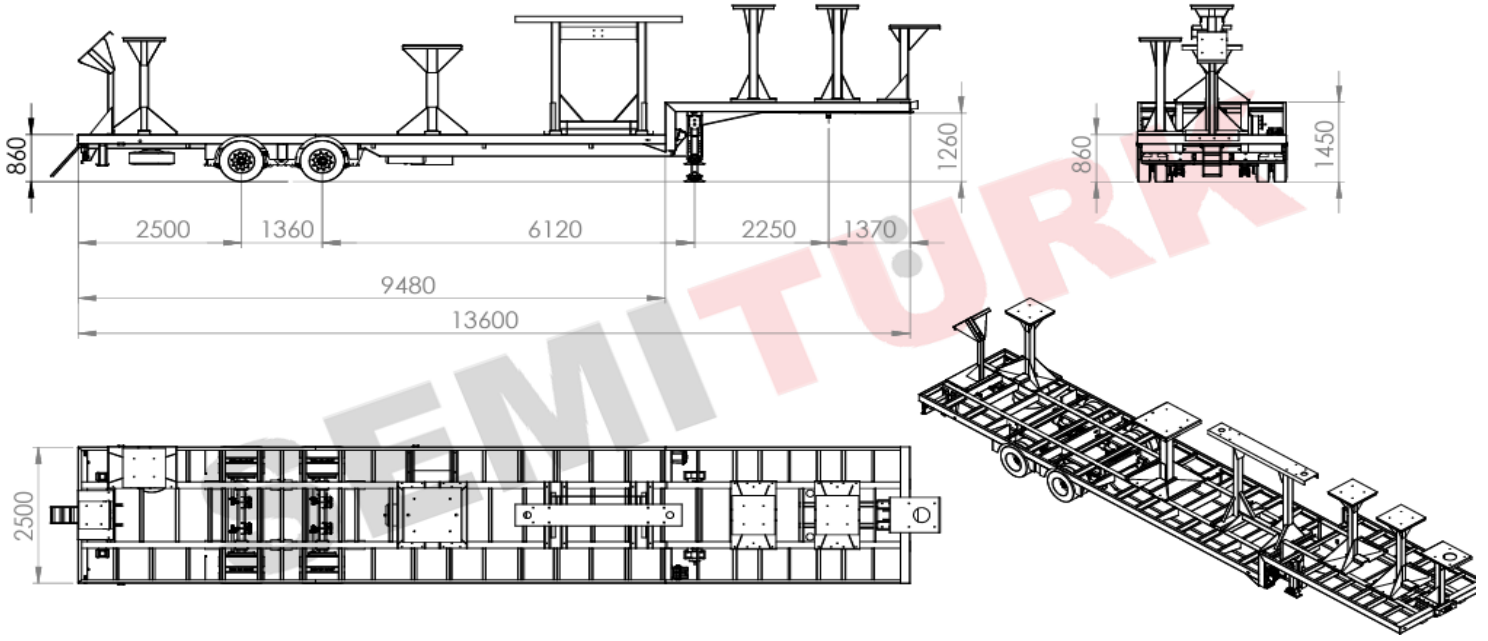
BÜYÜKYÜKSEL DAMPER VE HİDROLİK MAK. SAN. TİC. LTD. ŞTİ.

TRADEMARK NAME: SEMİTÜRK

FEVZİ ÇAKMAK MAH. MEDCEZİR CAD. NO: 8/116 B BLOK KONYA / TÜRKİYE

www.yukseldamper.com.tr - www.semiturk.com.tr

E-mail: info@yukseldamper.com.tr - Tel: +90 332 239 1860 / +90 530 610 1432


Transformer Transport Trailer
STLB20SD30

Weights & Dimensions (± %5)	Product Type	Transformer Transport Semi-Trailer for Mobile Substation - (2 Axle - 30 Tons)
	Total Length	13.600 mm (optional size options)
	Total Width	2.500 mm (optional size options)
	Platform Length	9.480 mm (optional size options)
	Platform Height	860 mm (optional size options)
	Tare Weight	6.000 kg (varies depending on optional options)
Body / Chassis	The main structure, chassis and other metal parts are produced as 'I-shaped' from 'ST37', 'ST52', 'S700MC', 'Hardox' sheet or other material options according to customer needs	
Mounting Stand	Optionally; mounting stands and chassis support legs suitable for equipment placement	
Axles	2 axle, Each 12 tons capacity, Drum brake type, 17.5" rim size (optional other combinations)	
Suspension System	Mechanical suspension system hardware or optional other compatible combinations	
Tires	8+1 unit 215/75 R17.5" size tubeless tyre and 17.5x6.00" size rim set or other combinations	
Hydraulic Ramp	Optionally; 2-way or 4-way hydraulic ramp (optional foldable or portable aluminum option)	
Brake System	Dual circuit (2-line) brake hardware, 2S/2M EBS (Electronic Braking System)	
Electrical Hardware	24 V lighting hardware, 2x7 pins electrical socket, 2 tail light, 4x2 side, 2 front lamps	
King-Pin	Bolt-connected 3,5" head (changeable with 2" head) king pin, SAE/DIN norms, D:190-260 kN	
Landing Legs	Mechanically two-speed semi-trailer landing gear set with a capacity of 24 tons	
Paint (with up to date RAL colour options)	Metal parts are painted 2-layers anti-corrosive epoxy primer then top acrylic paint coat	
Standard Accessories	1 x Axle nut removal tool, 1 x Spare tire with holder, 1 x Fire extinguisher tube cabinet, 1 x Water tank "chrome nickel or plastic", 1 x Wheel chock and holder, Lockable tool box, Lateral protection devices, Ladder, English user manual	