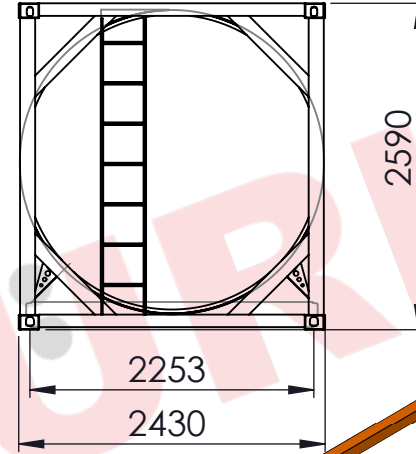
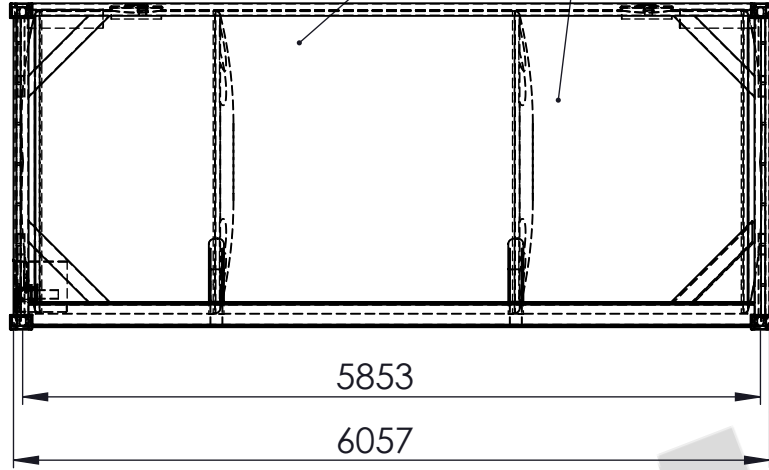


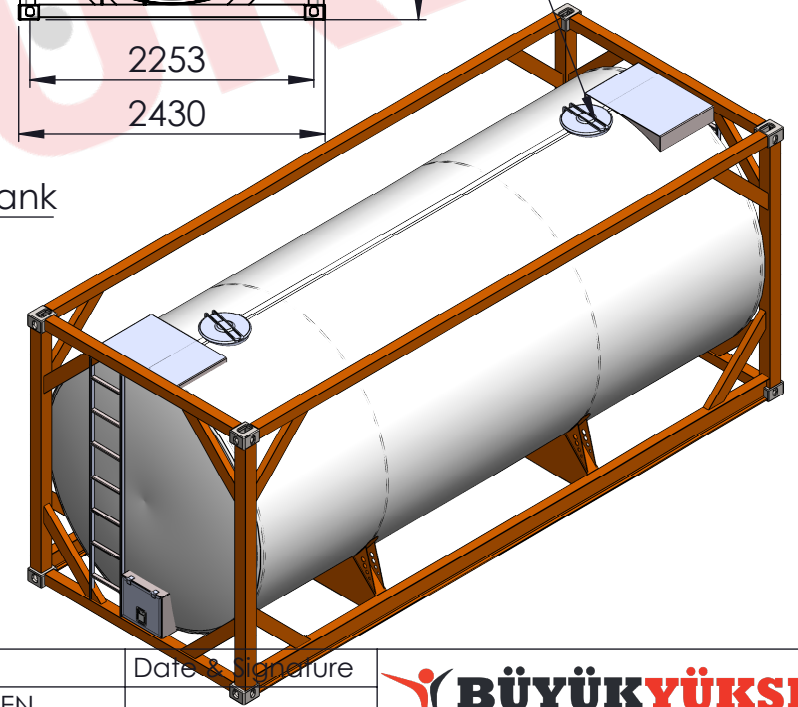
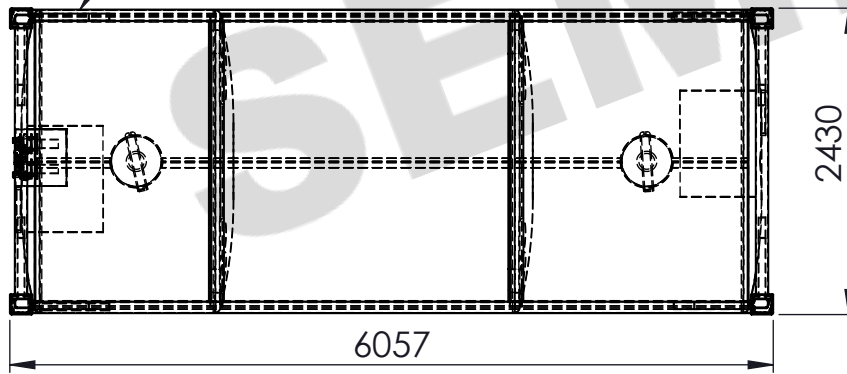
Tank has 1 compartments,
2 - 4 breakwater

Tank material - ST37 / P355 / SS304 - (4-10 mm)
The tank single layer, not has any insulation structure
Optional: Rock wool insulation depending on customer request



2-4 Manhole Cover

External frame metal profile and bolted connection with tank



NOTICE:

* 'Büyükyüksel Damper Hid. Mak. San. Tic. Ltd. Şti.' has adopted principle of continuous improvement its products
* 'Büyükyüksel Damper' reserves the right to make changes in technical dimensions and features without prior notice
* So; this technical drawing is given to be added to the contract annex and it is for only informational purposes

	Name	Date	Signature
Designer	A.TAŞDELEN		
Control	A.ADIYAMAN		
Approval	O.ADIYAMAN		
Type Approval	e5*2018/858*00075*00		
Q.M.S. / No.	ISO 9001:2015 / QMS-0104558		
Product Code	STWR26CR20		
Product Name	20 Feet Tank Container		



Trademark Name: **SEMİTÜRK**

www.yukseldamper.com.tr
www.semiturk.com.tr
info@yukseldamper.com.tr
+90 530 610 1432 / +90 332 239 1860

All rights of this picture belong to **BÜYÜKYÜKSEL DAMPER LTD. ŞTİ.** So, it can not be reproduced, copied and published without permission