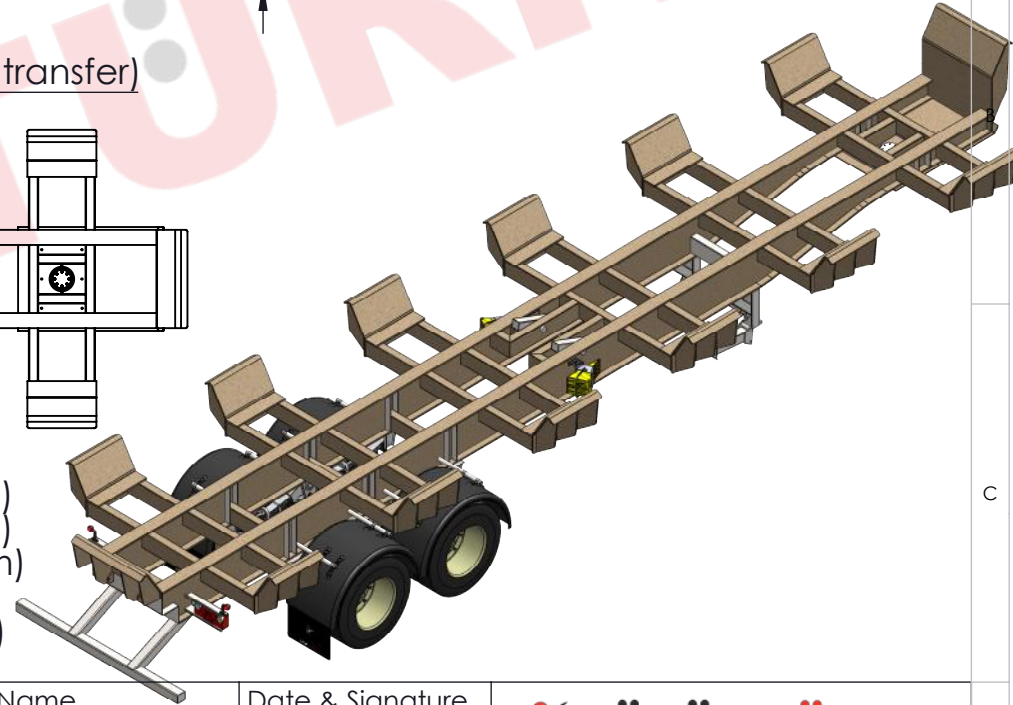
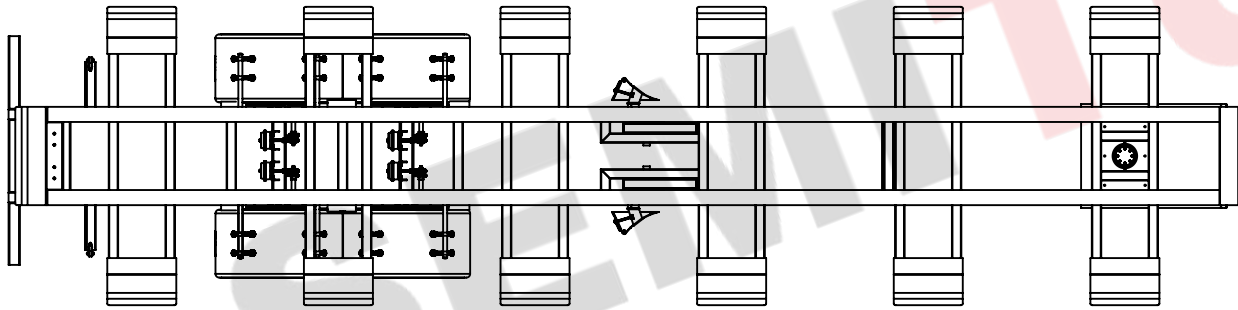


Detachable or foldable structure (for 45 feet container transfer)



- 45 Feet Container (External):** 13716 x 2500 x 2896 (L x W x H in mm)
- 40 Feet Container (External):** 12180 x 2440 x 2590 (L x W x H in mm)
- 40 Feet High Cube (External):** 12180 x 2440 x 2900 (L x W x H in mm)
- 20 Feet Container (External):** 6090 x 2440 x 2590 (L x W x H in mm)
- 20 Feet High Cube (External):** 6090 x 2440 x 2900 (L x W x H in mm)

NOTICE:

* 'Büyükyüksel Damper Hid. Mak. San. Tic. Ltd. Şti.' has adopted principle of continuous improvement its products
 * 'Büyükyüksel Damper' reserves the right to make changes in technical dimensions and features without prior notice
 * So; this technical drawing is given to be added to the contract annex and it is for only informational purposes

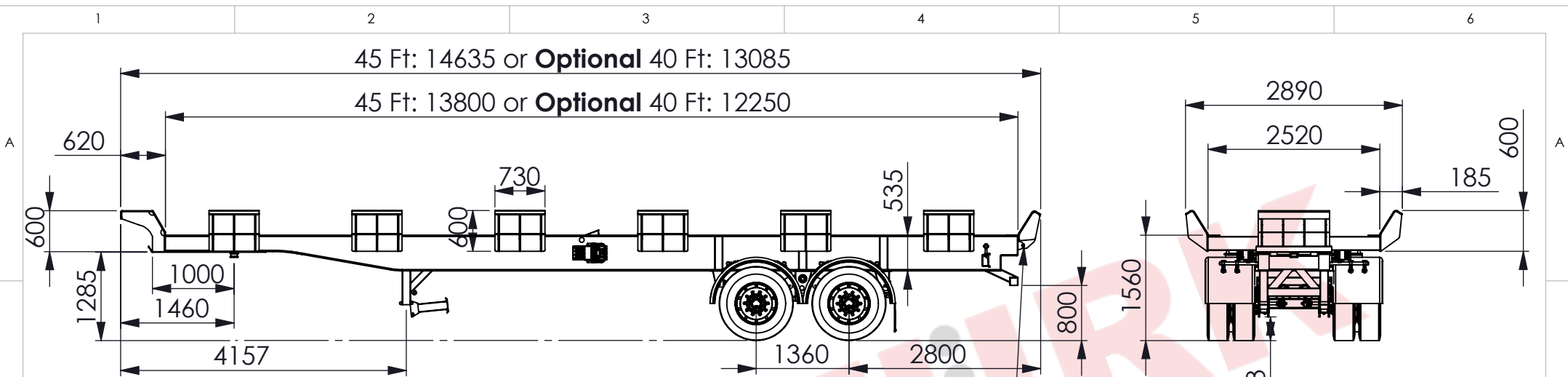
	Name	Date & Signature
Designer	A.TAŞDELEN	
Control	A.ADIYAMAN	
Approval	O.ADIYAMAN	
Type Approval	e5*2018/858*00075*00	
Q.M.S. / No.	ISO 9001:2015 / QMS-0104558	
Product Code	STKT20SG340	
Product Name	Terminal & Bomb Cart Trailer	



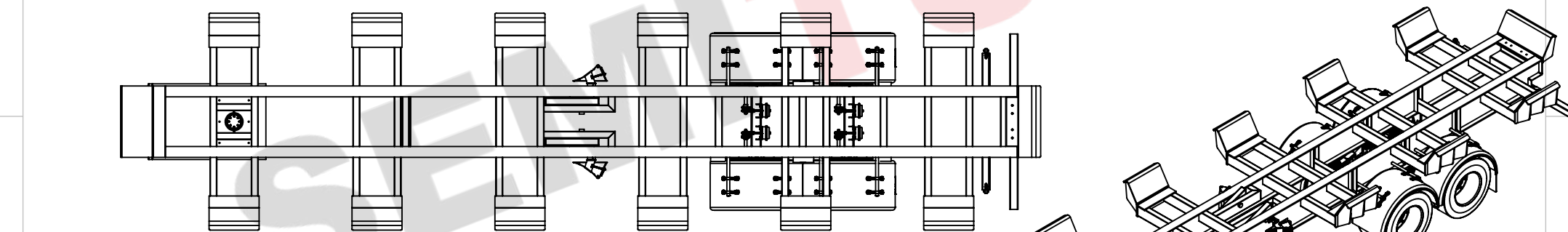
Trademark Name: SEMİTÜRK

www.yukseldamper.com.tr
 www.semiturk.com.tr
 info@yukseldamper.com.tr
 +90 530 610 1432 / +90 332 239 1860

All rights of this picture belong to BÜYÜKYÜKSEL DAMPER LTD. ŞTİ. So, it can not be reproduced, copied and published without permission



Fixed and removable rear stopper or **Optional** foldable and detachable design
 Transporting 45 ft container is possible with removal/folding bumper with 40 ft trailer



- 45 Feet Container (External):** 13716 x 2500 x 2896 (L x W x H in mm)
- 40 Feet Container (External):** 12180 x 2440 x 2590 (L x W x H in mm)
- 40 Feet High Cube (External):** 12180 x 2440 x 2900 (L x W x H in mm)
- 20 Feet Container (External):** 6090 x 2440 x 2590 (L x W x H in mm)
- 20 Feet High Cube (External):** 6090 x 2440 x 2900 (L x W x H in mm)

NOTICE:
 * 'Büyükyüksel Damper Hid. Mak. San. Tic. Ltd. Şti.' has adopted principle of continuous improvement its products
 * 'Büyükyüksel Damper' reserves the right to make changes in technical dimensions and features without prior notice
 * So; this technical drawing is given to be added to the contract annex and it is for only informational purposes

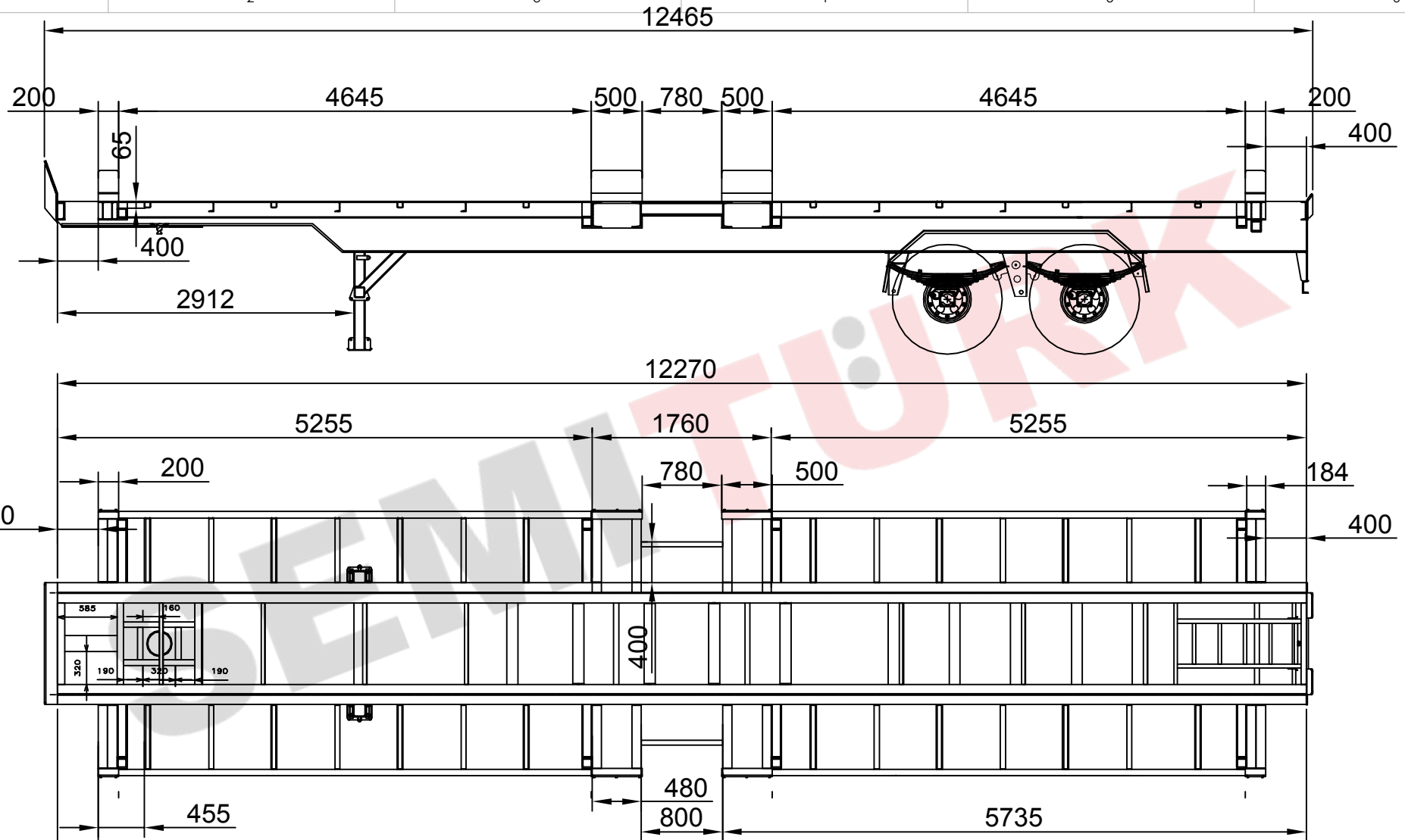
	Name	Date & Signature
Designer	A.TAŞDELEN	
Control	A.ADIYAMAN	
Approval	O.ADIYAMAN	
Type Approval	e5*2018/858*00075*00	
Q.M.S. / No.	ISO 9001:2015 / QMS-0104558	
Product Code	STKT20SG345	
Product Name	Terminal Transfer / Port Trailer	

BÜYÜKYÜKSEL
 DAMPER HİD. MAK. SAN. TİC. LTD. ŞTİ.

Trademark Name: SEMİTÜRK

www.yukseldamper.com.tr
 www.semiturk.com.tr
 info@yukseldamper.com.tr
 +90 530 610 1432 / +90 332 239 1860

All rights of this picture belong to **BÜYÜKYÜKSEL DAMPER LTD. ŞTİ.** So, it can not be reproduced, copied and published without permission



NOTICE:
 * 'Büyükyüksel Damper Hid. Mak. San. Tic. Ltd. Şti.' has adopted principle of continuous improvement its products
 * 'Büyükyüksel Damper' reserves the right to make changes in technical dimensions and features without prior notice
 * So; this technical drawing is given to be added to the contract annex and it is for only informational purposes

	Name	Date & Signature
Designer	A.TAŞDELEN	
Control	A.ADIYAMAN	
Approval	O.ADIYAMAN	
Type Approval	e5*2018/858*00075*00	
Q.M.S. / No.	ISO 9001:2015 / QMS-0104558	
Product Code	STKT20SGH34	
Product Name	Terminal & Bomb Cart Trailer	

BÜYÜKYÜKSEL
 DAMPER HİD. MAK. SAN. TİC. LTD. ŞTİ.

Trademark Name: SEMİTÜRK

www.yukseldamper.com.tr
 www.semiturk.com.tr
 info@yukseldamper.com.tr
 +90 530 610 1432 / +90 332 239 1860

All rights of this picture belong to **BÜYÜKYÜKSEL DAMPER LTD. ŞTİ.** So, it can not be reproduced, copied and published without permission